



AMENDMENT 4

**Invitation for Bid (IFB)
UOG IFB No. B23-01**

Date Issued: July 13, 2023

“INVITATION FOR MULTI-STEP SEALED BIDS FOR CONSTRUCTION SERVICES”

This is to notify all prospective offerors of the following amendment set forth below:

1.1 ADD Question & Answer Sheet 2 as set forth in the attached.

All other terms and conditions remain the same.

A handwritten signature in black ink, appearing to read 'Abigail R.P. Martin'.

Abigail R.P. Martin
Comptroller

Please acknowledge receipt and return by email to uog.bids@triton.uog.edu:

Name of company: _____

Print Name/Signature/date

T: +1 671.735.2925 F: +1 671.734.3010 W: www.uog.edu E: uog.bids@triton.uog.edu

Mailing Address: 303 University Drive UOG Station Mangilao, Guam 96913

The University of Guam is a U.S. Land Grant Institution accredited by the Western Association of Schools and Colleges Senior College and University Commission and is an equal opportunity provider and employer.

QUESTION & ANSWER SHEET 2

(July 13, 2023)

Please email the Procurement Office if you do not see your submitted question on the listing below.

| B23-01 Question No. | DATE | TIME | FROM: | VENDOR'S RFI No.: |
|---------------------|----------|----------|--|---|
| 2 | 06/26/23 | 6:12 PM | Core Tech International <i>Jemar Legaspi (jemar.legaspi@coretechintl.com) & Alon Elampara (alon.elampara@coretechintl.com)</i> | CTI RFI #1 |
| 5 | 06/30/23 | 4:50 PM | | CTI RFI #2 |
| 9 | 07/10/23 | 6:02 PM | | CTI RFI #3 |
| 1 | 06/23/23 | 1:58 PM | Future World Corporation <i>Ryan Martin Santiago, Project Engineer (ryansantiago@futureworldguam.com)</i> | FWC via Email |
| 3 | 06/29/23 | 3:29 PM | | FWC RFI #1 |
| 7 | 07/03/23 | 2:01 PM | | FWC RFI #2 |
| 8 | 07/10/23 | 11:32 AM | | FWC RFI #3 <i>(plus emailing and attachment questions)</i> |
| 4 | 06/29/23 | 2:50 PM | IAN Corporation | IAN RFI #1 |
| 6 | 07/03/23 | 8:50 AM | | IAN RFI #2 |

- | | | |
|-------------------------|----------------------------------|------------------------------|
| ANSWER FOR QUESTION # 2 | See Attachment_AQ-02 (CTI RFI 1) | |
| ANSWER FOR QUESTION # 3 | See Attachment_AQ-03 (FWC RFI 1) | |
| ANSWER FOR QUESTION # 4 | See Attachment_AQ-04 (IAN RFI 1) | |
| ANSWER FOR QUESTION # 5 | See Attachment_AQ-05 (CTI RFI 2) | |
| ANSWER FOR QUESTION # 6 | See Attachment_AQ-06 (IAN RFI 2) | |
| ANSWER FOR QUESTION # 7 | See Attachment_AQ-07 (FWC RFI 2) | |
| ANSWER FOR QUESTION # 8 | See Attachment_AQ-08 (FWC RFI 3) | Similar and answered in # 9. |
| ANSWER FOR QUESTION # 9 | See Attachment_AQ-09 (CTI RFI 3) | |

UOG IFB B23-01: INVITATION FOR MULTI-STEP SEALED BIDS FOR CONSTRUCTION SERVICES

| | |
|------|---|
| ITEM | Question |
| Date | 6/26/23 |
| | Responses provided 6/30/23 |
| 1 | As per Drawing 1/A405, no details of the Elevator Pit Ladder. Please provide section details. Response: (RIM) Detail added. See attached. |
| 2 | Visual Display Units did not appear on the drawing. Please confirm if it is included in the bid, if yes please provide sections. Response: (UOG) These items are owner furnished. Coordinate final location with owner and provide backing in walls for mounting as needed. |
| 3 | The toilet compartment did not appear in the drawing. Please confirm if it is included in the bid, if yes please provide sections. Response: (RIM) Toilet compartments are included as shown on sheet 2A101 and 2A102 in the Men's and Women's restrooms in the Nursing Annex Building. There are no toilet compartments in the WERI Building. |
| 4 | The fire Protection Cabinet has no dimensions on the drawings. Please provide the drawing dimension. Response: (RIM) The size and dimensions of the fire extinguisher cabinet will be dependent on the size of the fire extinguisher it will encase. |
| 5 | <p>EDA Contracting provisions item 29 "Buy America" states "To the greatest extent practicable, contractors are encouraged to purchase American- made equipment and products with funding provided under EDA financial assistance awards".</p> <p>(a) Please clarify the requirement 'To the greatest extent applicable' or (b) Provide specific CFR/FAR clause requirements. (c) Is the Buy America requirement mandatory?</p> <p>Response: (EDA)</p> <p>Buy-American Preferences Strengthening Buy-American Preferences for Infrastructure Projects. Recipients of covered programs (as defined in Executive Order 13858, 31 January 2019, and 2 C.F.R. §200.322 (Domestic preferences for procurements)) are hereby notified that they are encouraged to use, to the greatest extent practicable, iron and aluminum as well as steel, cement, and other manufactured products produced in the United States in every contract, subcontract, purchase order, or subaward that is chargeable under this Award.</p> <p>a. To the extent practicable means to the extent feasible or capable of being done or carried out with reasonable effort. b. 2 C.F.R. §200.322 Domestic preferences for procurements. c. The Buy America Preference is designed to encourage domestic sourcing but does not require it. Nonavailability of suitable American equipment or products, either because 1) it is not produced by an American source or 2) the price differential or delay in acquiring American-made equipment or products undermines the feasibility of the project, is a justifiable reason not to buy American. The Federal Acquisition Regulation (FAR) contains a list of articles that are considered not available in the United States. See 48 C.F.R. § 25.104. Inclusion of a particular piece of equipment or product on this list is sufficient evidence of non-availability for the recipient's records.</p> |

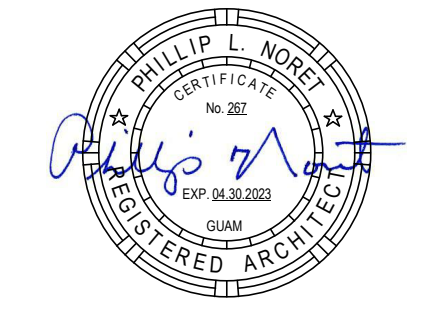
UOG IFB B23-01: INVITATION FOR MULTI-STEP SEALED BIDS FOR CONSTRUCTION SERVICES

| | |
|---|---|
| | |
| 6 | Please provide the quantity required for EDA Construction Site Sign Response: (EDA) Two- one at each site. |
| 7 | The bid schedule does not include optional items while drawings reflect some areas of work as Bid Options. Please clarify. Response: (UOG) The bid price should include all items including those listed as optional items. There is no need to breakout items as optional even though items may be listed as such in the bid documents. The bid price is all inclusive. See Instruction to Bidders, Attachment R, page 40, Item 15: says right before the itemized listing of the bid form ... "(* items are part of the basic bid; although the plans and specifications indicate the items as options). |
| | |





I CERTIFY THAT THIS DRAWING WAS PREPARED BY ME OR UNDER MY RESPONSIBLE CONTROL.



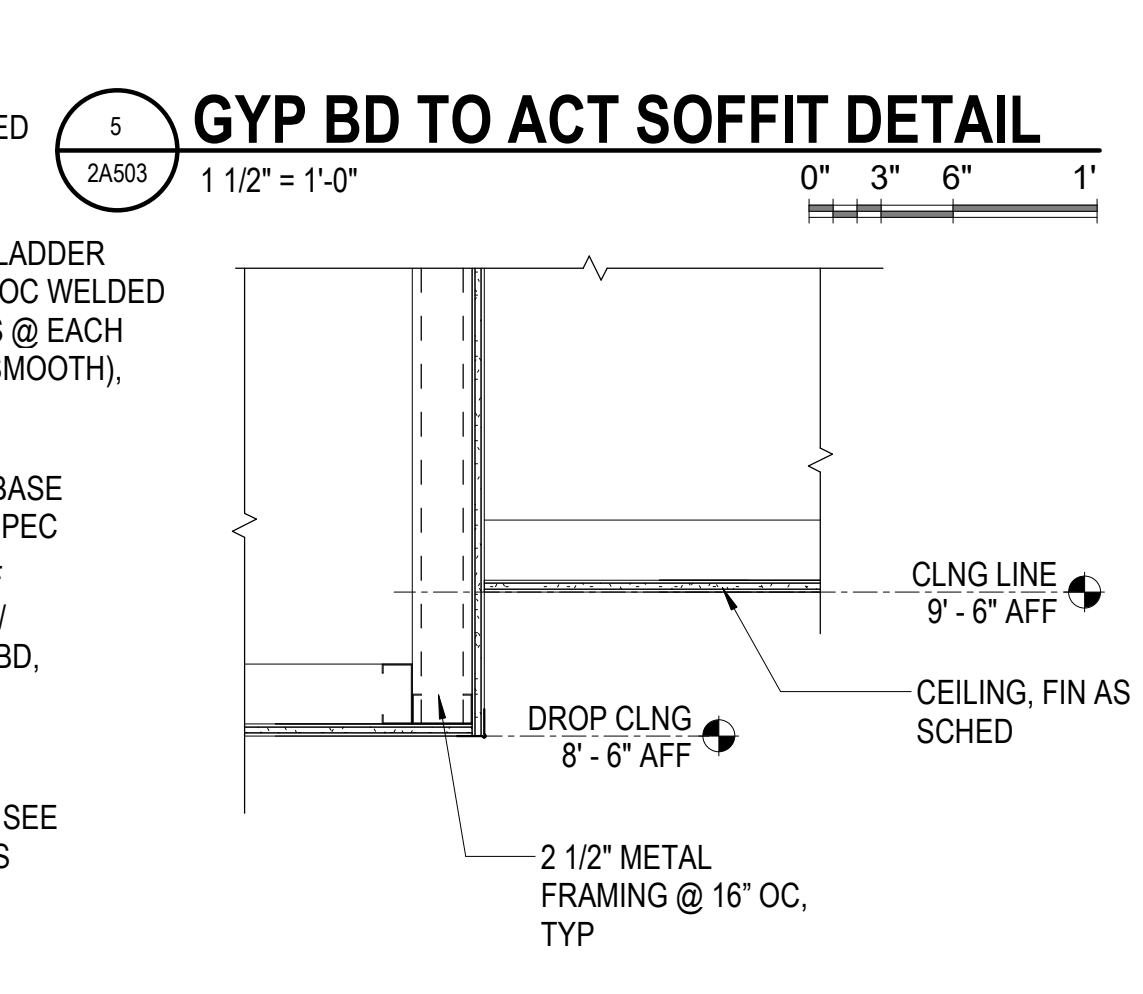
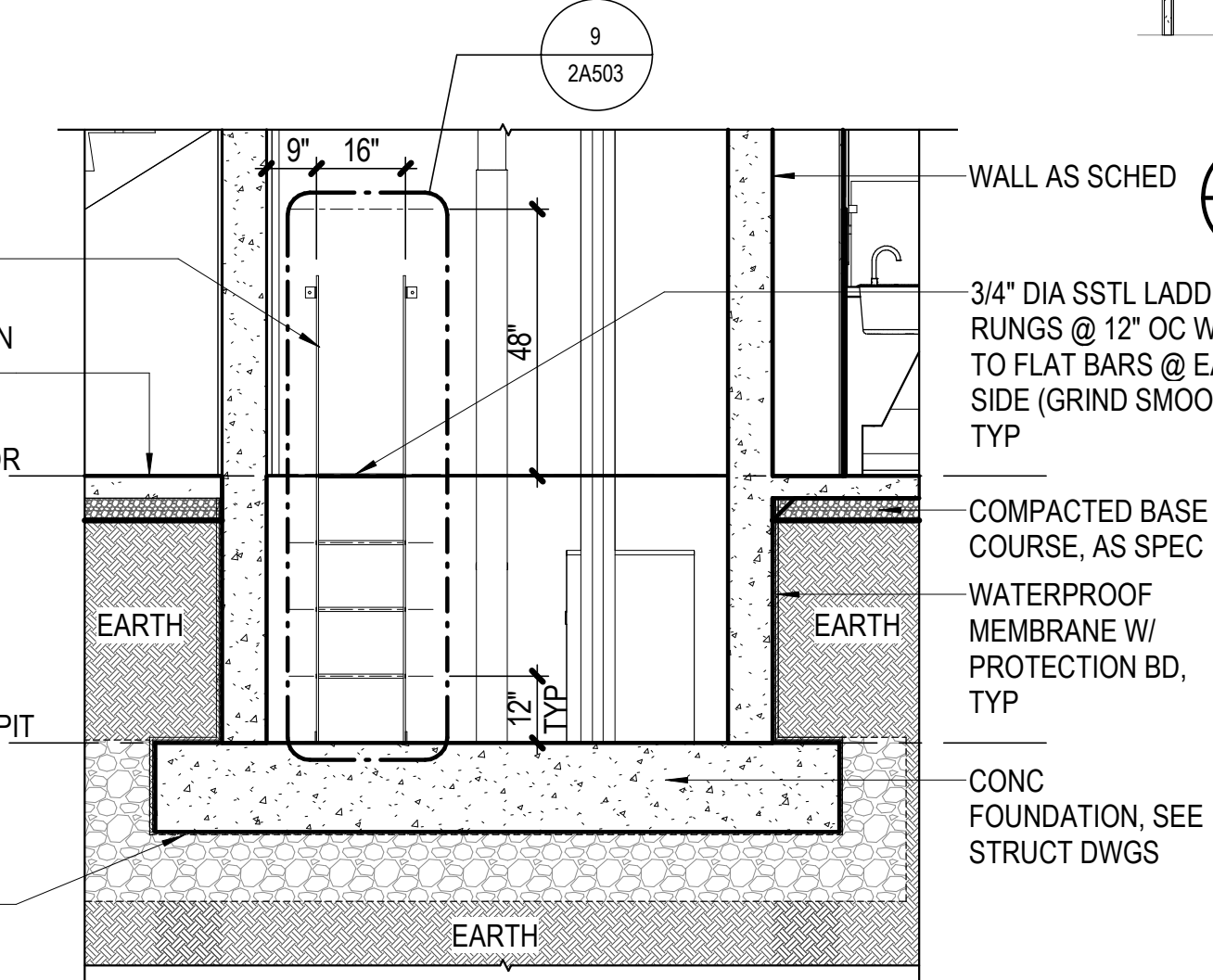
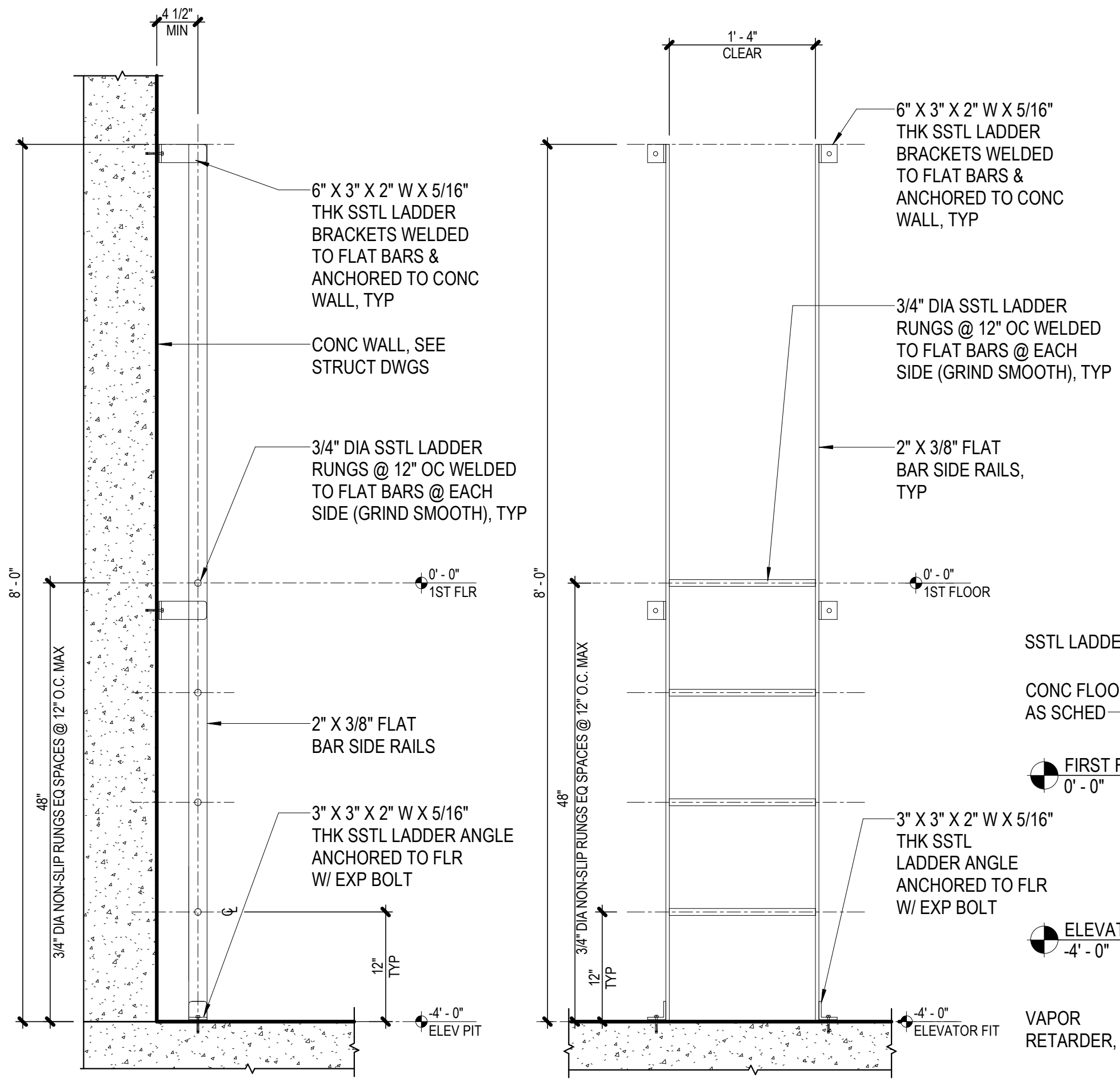
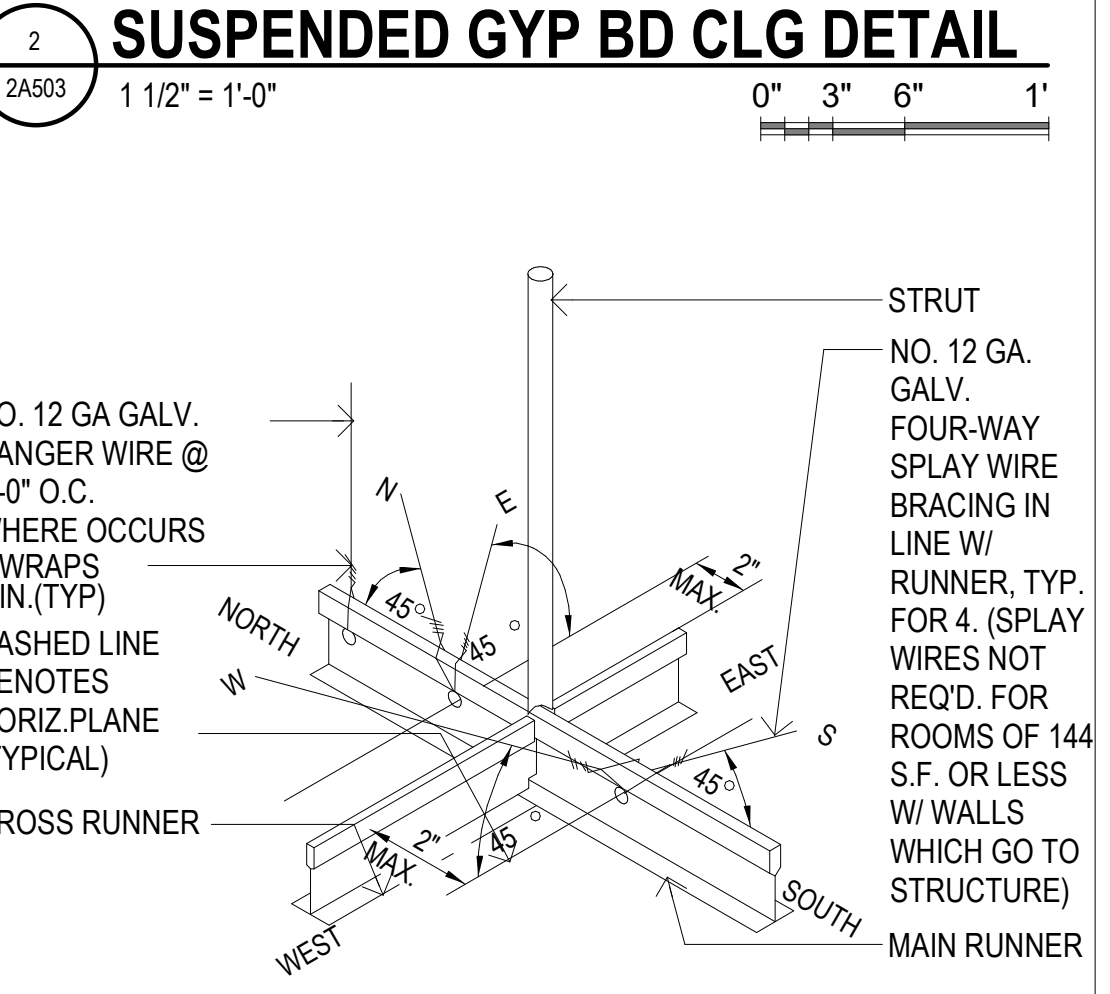
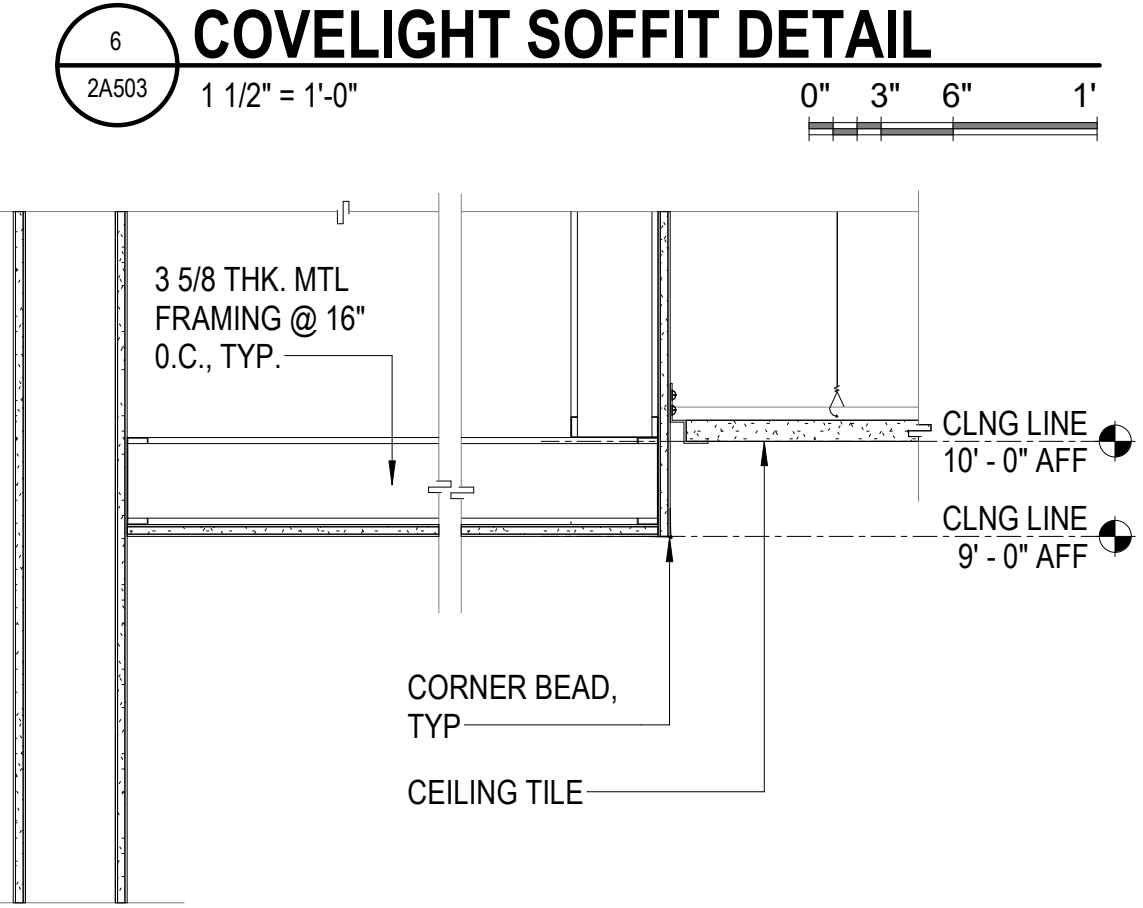
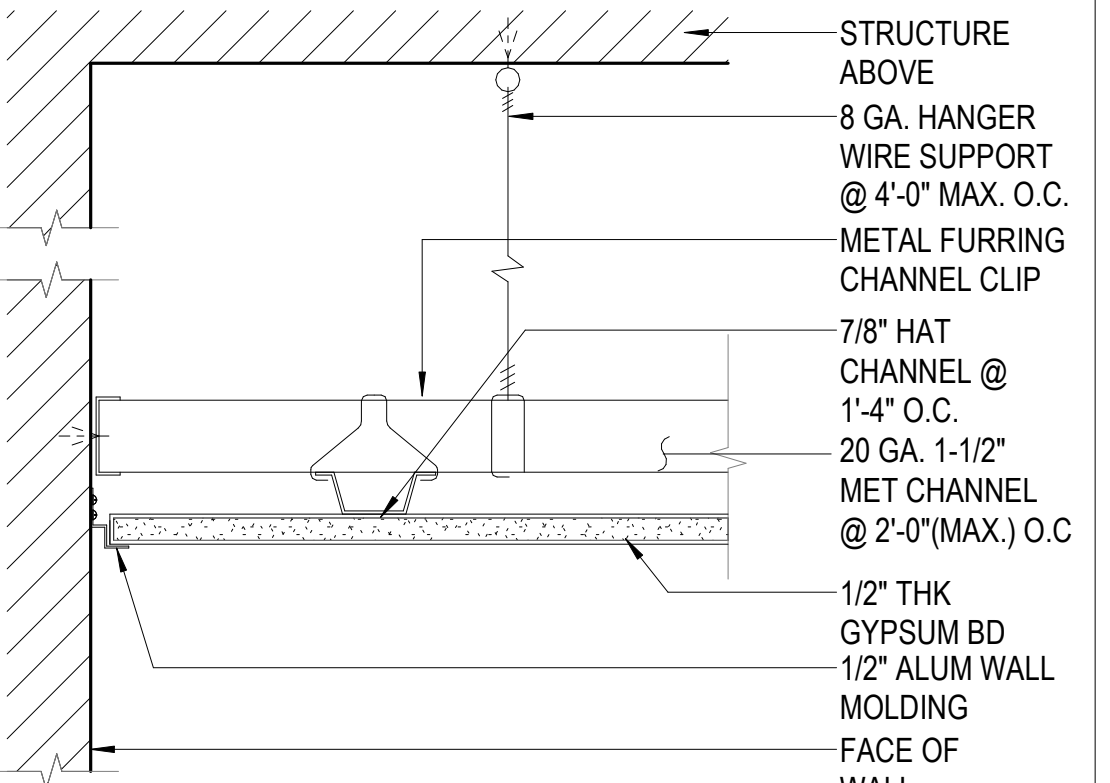
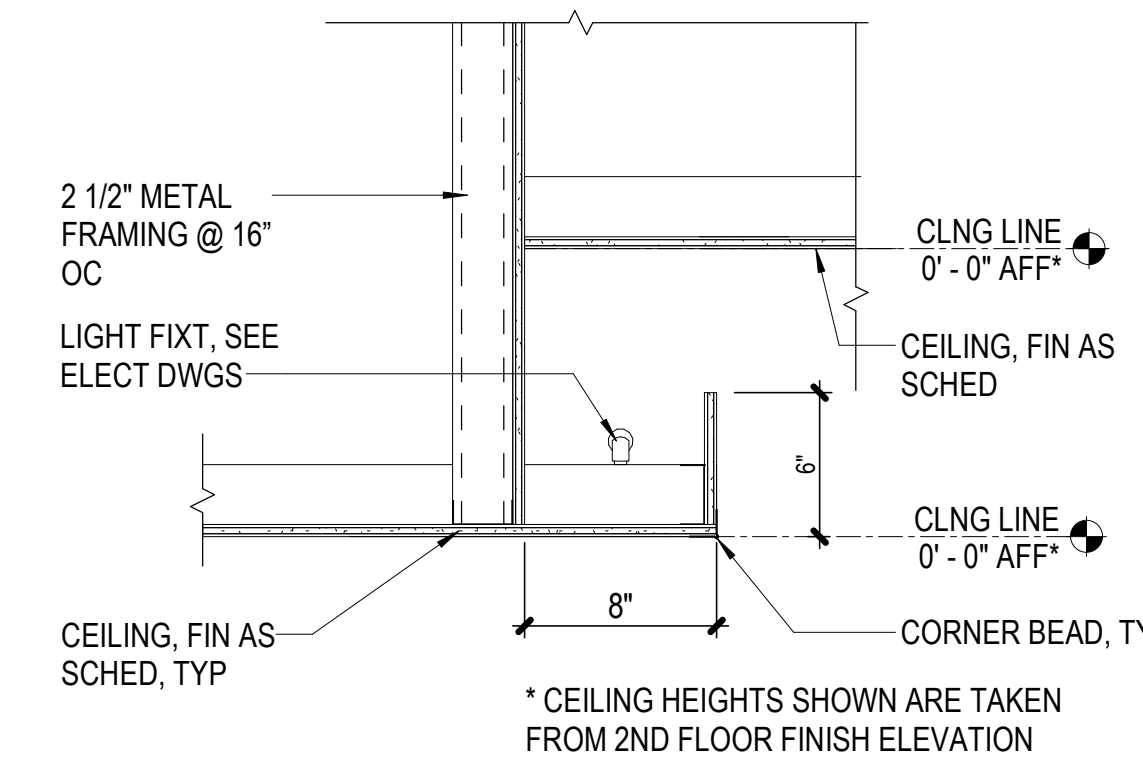
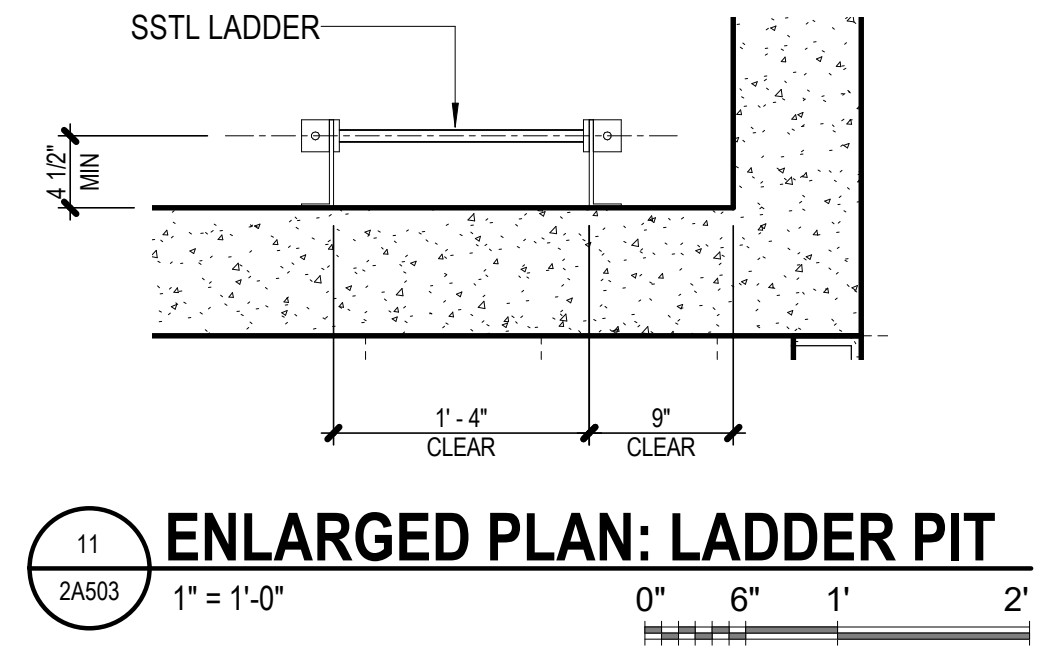
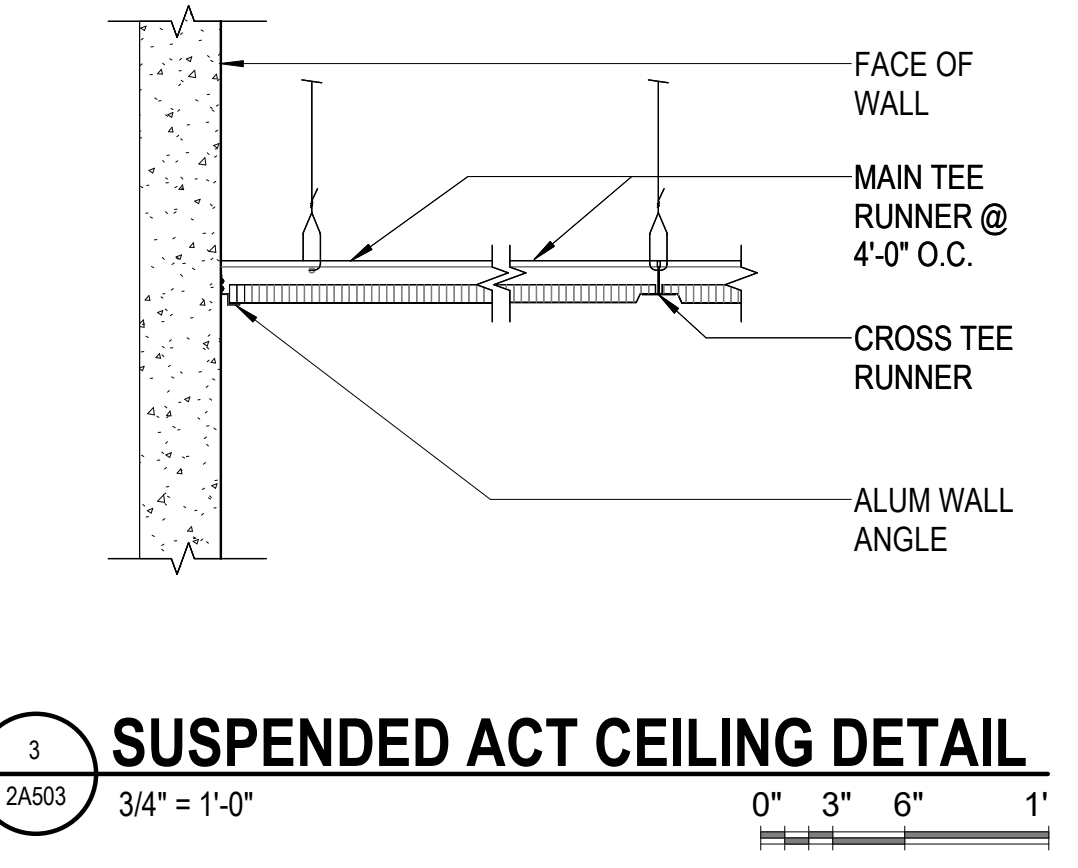
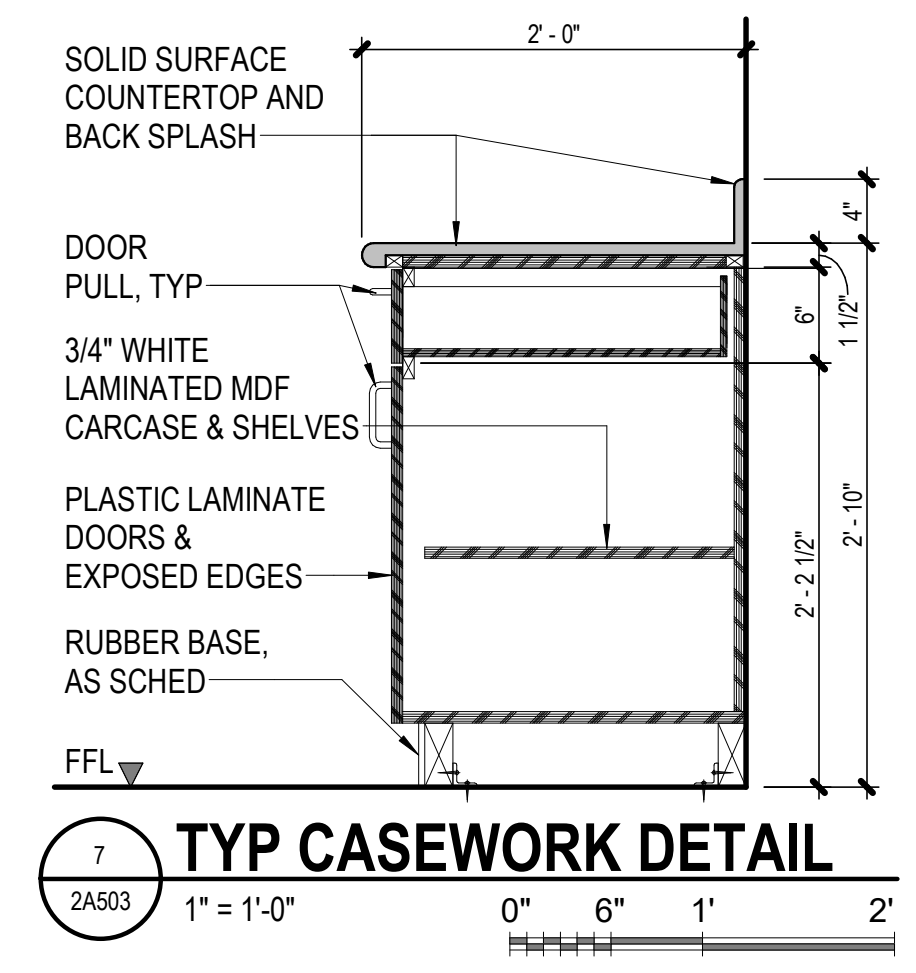
AS DEFINED IN GUAM PUBLIC LAW 30-35, SECTION 32116

BID/PERMIT SET

PROJECT TITLE: **School of Health - Nursing Annex**
EDA Project No. 07 79 07557 UOG Scientific Education and Research Facilities
Mangilao, Guam

OWNER: UNIVERSITY OF GUAM

SHEET TITLE: CEILING DETAILS



NOTE:
MINIMUM NO. 12 GA. SUSPENSION WIRES ARE REQUIRED @ 4'-0" O.C. NOT MORE THAN 1 IN 6 OUT OF PLUMB. PERIMETER HANGERS ARE REQUIRED WITHIN 8" OF WALLS. END OF ALL TEES ARE REQUIRED TO BE TIED TOGETHER TO PREVENT SPREADING. CEILING TEES MAY BE ATTACHED AND SNUG TO WALL ANGLES ONLY AT TWO ADJACENT WALLS (1/4" CLEARANCE BETWEEN WALL AND END OF TEE AT OTHER TWO WALLS). LATERAL FORCE BRACING (SHOWN ABOVE) CONSISTING OF HORIZONTAL RESTRAINT POINTS AND VERTICAL STRUT ARE REQUIRED @ MAX. 12'-0" O.C. BOTH DIRECTIONS BEGINNING WITHIN 6'-0" OF EACH WALL. LATERAL FORCE BRACING MEMBERS ARE TO BE 6" MIN. FROM ALL UNBRACED HORIZONTAL PIPING AND DUCTS. SUPPORTS OR LIGHT FIXTURES AND MECHANICAL DEVICES VARY ACCORDING TO WEIGHT. SEE UBC STD. 47-18 FOR ADDITIONAL REQUIREMENTS. PROVIDE SIMILAR CONDITIONS AT SUSPENDED GYPSUM BOARD CEILINGS UNLESS GYP. CEILING IS ON ONE LEVEL EXTENDING FROM WALL TO WALL.

10 LADDER PIT SECTION
2A503 1" = 1'-0"

9 LADDER PIT ELEVATION
2A503 1" = 1'-0"

8 ELEVATOR PIT LADDER DETAIL
2A503 3/8" = 1'-0"

4 GYP BD SOFFIT DETAIL
2A503 1 1/2" = 1'-0"

1 CEILING DETAIL
2A503 1 1/2" = 1'-0"



**FUTURE
WORLD
CORPORATION** General Contractor

P.O. Box 12554 Tamuning, Guam 96931 • Telephone: 1(671) 649-4147/48/49 • Facsimile: 1(671) 649-4158
e-mail: futureworld@guam.net • website: www.futureworldcorp.net

REQUEST FOR INFORMATION

| | | |
|-------------------------------|----------------|----------|
| PROJECT: UOG IFB-23-01 | RFI NO. | 1 |
|-------------------------------|----------------|----------|

| | |
|---|--|
| Subject: RFI for the list of Item | Date: June 29, 2023 |
| To: UOG Procurement | From: Arnold Felizardo |
| Company: | Company: Future World Corporation |
| Contact No.: | Contact No.: 998-1008 |
| We are sending you attached via: <input checked="" type="checkbox"/> e-mail <input type="checkbox"/> hand carry | |

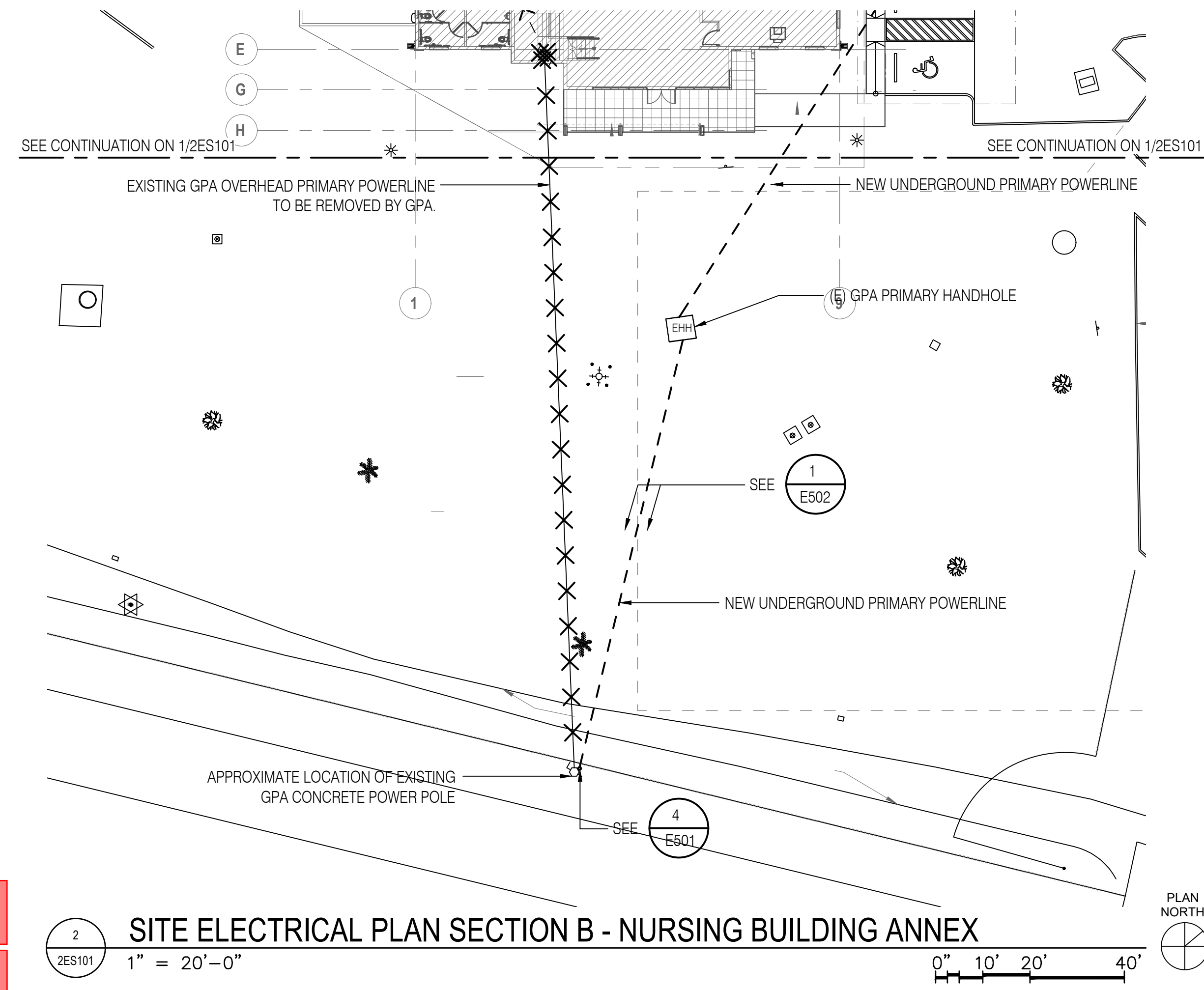
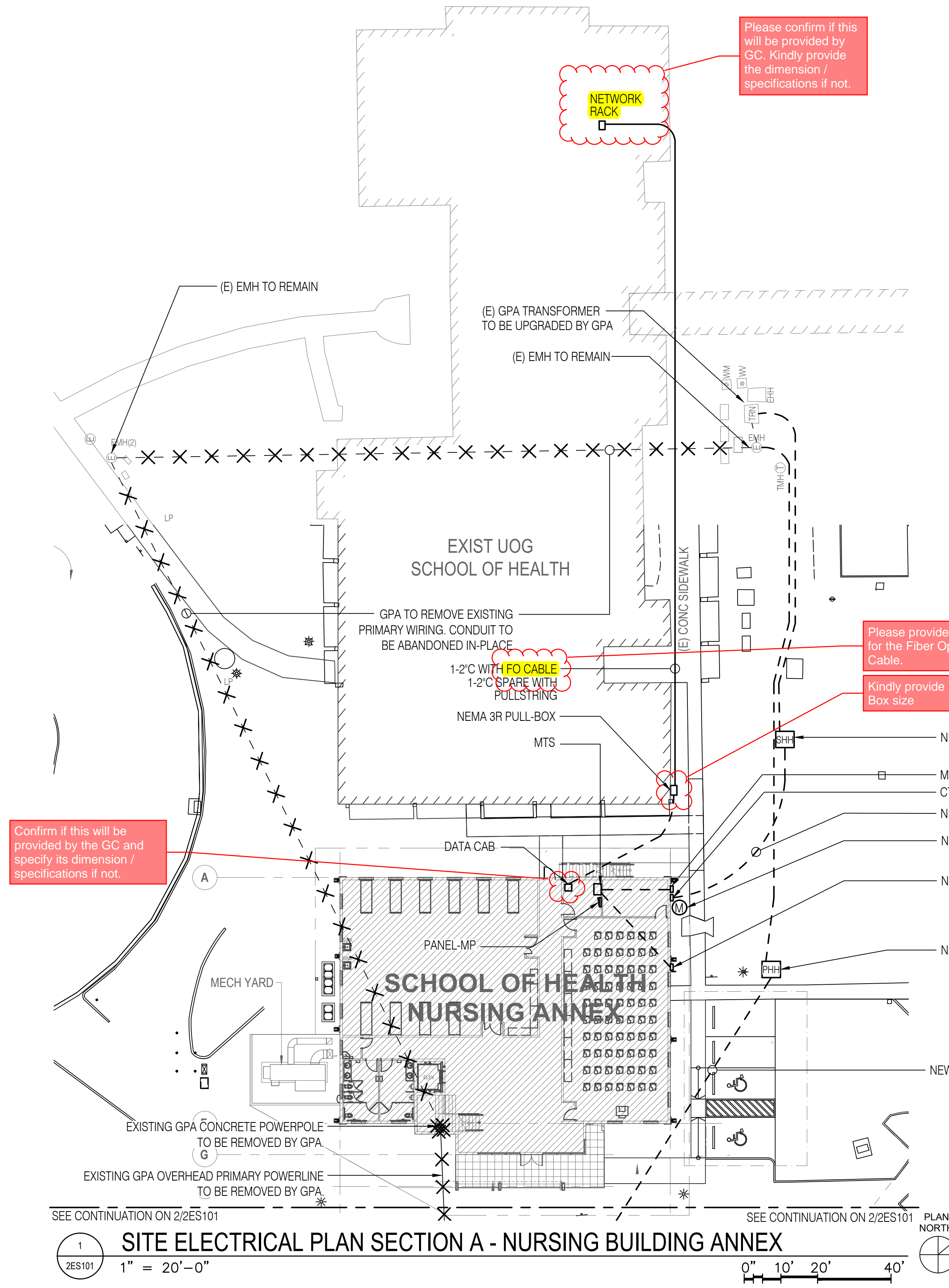
| Specification Reference | Plan Reference | Discipline |
|-------------------------|--|------------|
| Item | Description | |
| 1 | Please see attached 5-page Electrical plan of Nursing Annex Building with our query. | |
| 2 | Kindly provide us specification for Accordion Doors | |
| 3 | According to our supplier, Armstrong Medintech, Resilient Sheet for Nursing and WERI, is discontinued, and our vendor is offering us Mature Advantage by Toli which is well suited for HealthCare Facilities because it has Anti-Viral Coating | |

A & E Response:

| | |
|---|---|
| Received By: _____ <div style="text-align: center;">Representative</div> | Submitted By: <div style="text-align: center;">Arnold Felizardo / Proj. Engineer</div> |
|---|---|

Physical Address: 954 Army Drive, Barrigada Heights, Guam 96913 Telephone: 671-649-4147
Mailing Address: P.O. Box 12554, Tamuning, Guam 96931
Website: www.futureworldguam.com

ITEM 1



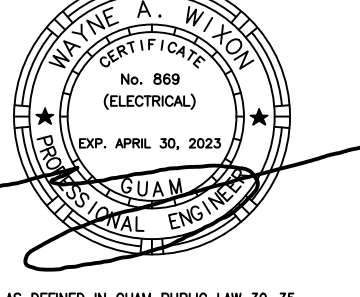
1 SITE ELECTRICAL PLAN SECTION A - NURSING BUILDING ANNEX
 2ES101 1" = 20'-0"

2 SITE ELECTRICAL PLAN SECTION B - NURSING BUILDING ANNEX
 2ES101 1" = 20'-0"

316 HERNAN CORTEZ AVE
 SUITE 300
 HAGATNA, GUAM 96910
 Phone: 671.477.2111
 Fax: 671.477.2125
 www.rimarchitects.com



I CERTIFY THAT THIS DRAWING WAS PREPARED BY ME OR UNDER MY DIRECT SUPERVISION.



AS DEFINED IN GUAM PUBLIC LAW 30-35, SECTION 32116

BID/PERMIT SET

PROJECT TITLE: **School of Health - Nursing Annex**
 EDA Project No. 07 79 07657 UOG Scientific Education and Research Facilities
 Mangilao, Guam

OWNER: UNIVERSITY OF GUAM

SHEET TITLE: **SITE ELECTRICAL PLAN SECTION A & B - NURSING BUILDING ANNEX**

NO. DESCRIPTION DATE

| | | |
|--|--|--|
| | | |
| | | |
| | | |
| | | |
| | | |
| | | |
| | | |
| | | |
| | | |
| | | |
| | | |

| | |
|-------------|-------------------------|
| DATE | : 2023.02.15 |
| PROJECT NO. | : 214040 |
| DRAWN BY | : JCT/JRL |
| CHECKED BY | : WAW |
| COPYRIGHT | : © 2022 RIM Architects |

DWG NO: **2ES101**

Department of Commerce

Pacific Island Territories Waiver

1. Summary

Agency: Department of Commerce.

Proposed Waiver: The Department of Commerce (Department) is proposing a temporary general applicability public interest waiver of the requirements of Section 70914(a) of the Build America, Buy America Act (BABA) included in the Infrastructure Investment and Jobs Act (IIJA) (Pub. L. No. 117-58) for federal financial assistance awarded for infrastructure projects located in the U.S. Pacific Island territories of the Commonwealth of Northern Mariana Islands (CNMI), Guam, and American Samoa, collectively referred to as Pacific Island territories.

This waiver would provide the time for the agency to collect and analyze evidence to determine if a more targeted waiver of these requirements is in the public interest. The waiver would also allow time for the agency to offer technical assistance to potential assistance recipients in the remote communities in the Pacific Island territories. The waiver will remain in effect for 18 months after the effective date of the final waiver and will be reviewed as often as necessary.

Applicability: This waiver proposes to permit the use of non-domestic iron, steel, manufactured products, and construction materials in infrastructure projects located within the Pacific Island territories of CNMI, Guam, or American Samoa when the total Federal award exceeds the Simplified Acquisition Threshold of \$250,000. If Federal financial assistance provided by the Department is combined with other Federal financial assistance from another Federal agency and the total amount of Federal financial assistance in a single project is greater than the Simplified Acquisition Threshold, then the waiver shall apply to the Federal financial assistance provided by the Department. The Department proposes to apply the waiver to all awards obligated after the effective date and, in the case of awards obligated prior to the effective date, all expenditures for non-domestic iron, steel, manufactured products, and construction materials incurred after the effective date.

The comment period for this waiver will be open for 15 days after the publication date of this notice. Comments must be received by July 01, 2023. The Department will determine whether to modify or finalize the proposed waiver after the comment period. Further information on this waiver may be found on the Department's [website](#).

2. Background

The Buy America preference set forth in section 70914(a) of BABA included in the IIJA, requires all iron, steel, manufactured products, and construction materials used for infrastructure projects under federal financial assistance awards be produced in the United States.

Under section 70914(b) and in accordance with the Office of Management and Budget (OMB)'s Guidance Memorandum M-22-11, *Initial Implementation Guidance on Application of Buy America Preference in Federal Financial Assistance Programs for Infrastructure*, the Department may waive the BABA application in any case in which it finds that: (i) applying the

domestic content procurement preference would be inconsistent with the public interest; (ii) types of iron, steel, manufactured products, or construction materials are not produced in the U.S. in sufficient and reasonably available quantities or of a satisfactory quality; or (iii) the inclusion of iron, steel, manufactured products, or construction materials produced in the U.S. will increase the cost of the overall project by more than 25 percent. All waivers must have a written explanation for the proposed determination; provide a period of not less than fifteen (15) calendar days for public comment on the proposed waiver; and submit the proposed waiver to the OMB Made in America Office for review to determine if the waiver is consistent with policy.

The Department provides grants to the three Pacific Island territories, Guam, American Samoa, and CNMI – the Economic Development Administration (EDA) funds workforce training centers and business incubators; the National Oceanic and Atmospheric Administration (NOAA) funds coastal zone management and habitat restoration as well as marine debris removal projects to a mix of territorial government entities and local non-profits; and the National Telecommunications and Information Administration (NTIA) will fund broadband deployment projects to unserved and underserved locations. In FY22, EDA obligated \$430K for one project. In FY23, EDA anticipates obligating \$2M in funds for two projects and NOAA anticipates obligating \$5.2M in funds for three projects. In FY24, NTIA anticipates obligating \$9M in funds for six to eight projects.

3. Waiver Justification

The Department is proposing a public interest waiver to waive BABA requirements in infrastructure projects located within the Pacific Island territories of CNMI, Guam or American Samoa. The proposed duration of the waiver is 18 months from the effective date of the final waiver.

Economies in the Pacific Islands are over 5,000 miles from the mainland United States and must import products via air or sea. These economies have few local heavy manufacturers and largely rely on established regional supply chains from east Asia, Australia, and New Zealand. Most goods, equipment materials and supplies are imported and rely on shipping with associated timelines and unpredictable shipping fuel costs fluctuations. Moreover, materials sourced from the United States lead to additional shipping fees and longer lead times, thus significantly extending construction activity schedules. Lastly, ongoing gaps in supply chain availability impact lead times for materials, increasing project timelines. For these reasons, the agency is concerned that complying with the domestic sourcing requirements in BABA may increase already elevated project time and costs—particularly in the short run—and seeks time to better understand the local manufacturing footprint and the balance of equities for residents of the Pacific Island territories. The agency is aware that substantial changes to shipping and supply chains to incorporate domestic sourcing requirements in the Pacific Island territories could take multiple years to establish. These economic and logistical constraints were also confirmed through discussions that the Department performed with its recipients and applicants in the Pacific Island territories.

According to market research conducted by other Federal agencies such as the Federal Emergency Management Agency in early 2023, CNMI and Guam stated that shipping costs from Asia are lower due to geographic distance and other cost efficiencies. They commented that there is a general lack of supply chains from the U.S. compared to Asia resulting in longer lead times

from the U.S. for product delivery which leads to longer construction timelines. Standard products like typhoon-rated glass windows and aluminum shutters cost significantly more if sourced domestically. For example, representatives stated, “the cost of aluminum is double if sourced from the U.S. Mainland” and “The shipping cost from Korea or Asia for a 20-footer container is \$3,000 but shipping from the mainland United States is about \$12,000.”

Representatives from American Samoa responded that: “As a containerized community, our territories depend on goods, equipment, materials and supplies to be imported.” They said: “we can purchase equipment from foreign countries closer to American Samoa and with reasonable prices and shorter shipping time.” American Samoa representatives also noted that availability of materials from nearby foreign countries such as New Zealand and Australia would be a significant cost savings to the grantors.

The Department proposes that it is in the public interest to waive the BABA requirements for Federal financial assistance awarded for infrastructure projects in the Pacific Island territories while we work to gather more information on supply chains, costs, and impacts. This proposed waiver is critical to provide the time for the agency to collect and analyze evidence to determine if a more targeted waiver of these requirements is in the public interest. The waiver would also allow time for the agency to offer technical assistance to reduce the administrative burden to potential assistance recipients in the remote communities in the Pacific Island territories where complying with the domestic sourcing requirements in BABA presents challenges. The agency is concerned that failure to provide these remote infrastructure projects such flexibilities could perpetuate systemic barriers to opportunities and benefits and limit the agency's ability to deliver resources and benefits equitably to all in these Pacific Island territories. Additionally, the Department may need to dedicate significant staff and contractor time to assist extremely remote communities with implementing preference requirements for the first time and to support the increased workload to process project-specific waivers. The Department is interested in determining if these concerns justify a targeted waiver and whether its initial assessment may or may not be borne out by evidence.

4. Impact Absent the Waiver

Without the waiver, infrastructure projects located within the Pacific Island territories will experience challenges with product delivery, availability, reliability, and project scheduling. Infrastructure project schedules rely on readily available products delivered within reasonable timeframes. Due to the extreme distances that manufacturers for products produced in the mainland United States would have to ship products to the Pacific Island territories and due to the lack of existing local product supply networks for these products, manufacturers may not be able to assure on-time delivery of compliant products and associated projects in the Pacific Island territories could potentially face unreasonable scheduling uncertainty.

On the other hand, the proposed waiver will likely help grant recipients establish rules and procedures to manage the BABA requirements. Furthermore, the waiver will provide recipients more options to efficiently complete projects.

Uncertainties regarding capacity, shipping, and supply networks make domestic sourcing in the Pacific Island territories challenging for assistance recipients, shippers, and the Department staff

in the short run. The Department is engaging to understand opportunities to leverage existing shipping and transportation processes to make domestic sourcing feasible over the longer term.

6. Assessment of Cost Advantage of a Foreign-Sourced Product

Under OMB Memorandum M-22-11, agencies are expected to assess “whether a significant portion of any cost advantage of a foreign-sourced product is the result of the use of dumped steel, iron, or manufactured products or the use of injuriously subsidized steel, iron, or manufactured products” as appropriate before granting a public interest waiver. The Department’s analysis has concluded that this assessment is not applicable to this waiver.

7. Duration of Waiver

The proposed duration of the waiver is 18 months after the effective date of the final waiver. The Department will review this waiver in 12 months to assess whether it remains necessary to the fulfillment of the Department’s missions and goals and consistent with applicable legal authorities, such as the IJIA, Executive Order 14005, and OMB M-22-11. The Department may, based on the results of that review, terminate the waiver, or take action to develop a new waiver in consultation with the MIAO.

8. Solicitation of Comments

This notice posted on June 16, 2023, satisfies the requirement under section 70914 of BABA to publish any proposed BABA waiver and provide the public with a reasonable period of time for notice and comment. The Department seeks public comment from all interested parties. In particular, the Department seeks comment regarding the scope of this waiver. Relevant information and comments will help the Department to understand completely the facts surrounding the waiver requests and the agency’s proposal. This notice will be closed for comments on July 01, 2023.

Comments can be sent to jgeisen@doc.gov with “*Pacific Island Territories Waiver*” in the subject line of the email. Comments received prior to the public comment closing date will be reviewed and considered by the Department.

For more information on the Build America, Buy America preference, please reference the Department’s [website](#) or MadeinAmerica.gov.



**FUTURE
WORLD
CORPORATION** General Contractor

P.O. Box 12554 Tamuning, Guam 96931 • Telephone: 1(671) 649-4147/48/49 • Facsimile: 1(671) 649-4158
e-mail: futureworld@guam.net • website: www.futureworldcorp.net

REQUEST FOR INFORMATION

| | | |
|------------------------|---------|---|
| PROJECT: UOG IFB-23-01 | RFI NO. | 2 |
|------------------------|---------|---|

| | |
|--|--|
| Subject: RFI for the list of Item | Date: July 3, 2023 |
| To: UOG Procurement | From: Arnold Felizardo |
| Company: Future World Corporation | Company: Future World Corporation |
| Contact No.: | Contact No.: 998-1008 |

We are sending you attached via: e-mail hand carry

| Specification Reference | Plan Reference | Discipline |
|-------------------------|--|------------|
| | | |
| Item | Description | |
| | WERI BUILDING | |
| 1 | Please confirm the floor finish at STAIR 2 FLOOR on 1st FLOOR is CT-1, Ceramic Floor Tile, but 2nd to 3rd FLOOR is SEALED CONCRETE | |
| 2 | We would like to clarify the elevation of the Stair 1 Landing at Roof Deck. As per plan, Roof Deck finish floor elevation is 36'. | |
| 3 | Please provide specification for concrete sealer | |
| 4 | We would like to clarify the width of D111. According to Door Schedule. D111 is TYPE E which is a Double Door with UNEVEN DOOR PANELS. | |
| 5 | Please confirm which size for the Generator will govern. As per Drawing, 1E601- 300KW As per specs- Power Factor- .8 lagging; Service load- 1000 kVA - 800 KKW | |

A & E Response:

1. Confirmed. CT-1 on first floor. Sealed Concrete on 2nd and 3rd floor.
2. 36'-0" elevation marks the lowest level of roof deck. See attached Sketch 2 for stair landing elevation.
3. Previously provided. See spec section 03 30 00 Cast In Place Concrete Section 2.8. liquid floor treatment.
4. Door 111 total width is 4'-8" with one 3'-0" width leaf. See attached Sketch 4.
5. 300 KW as per the drawing, is the correct size.

Received By: _____
Representative

Submitted By: 
Arnold Felizardo / Proj. Engineer

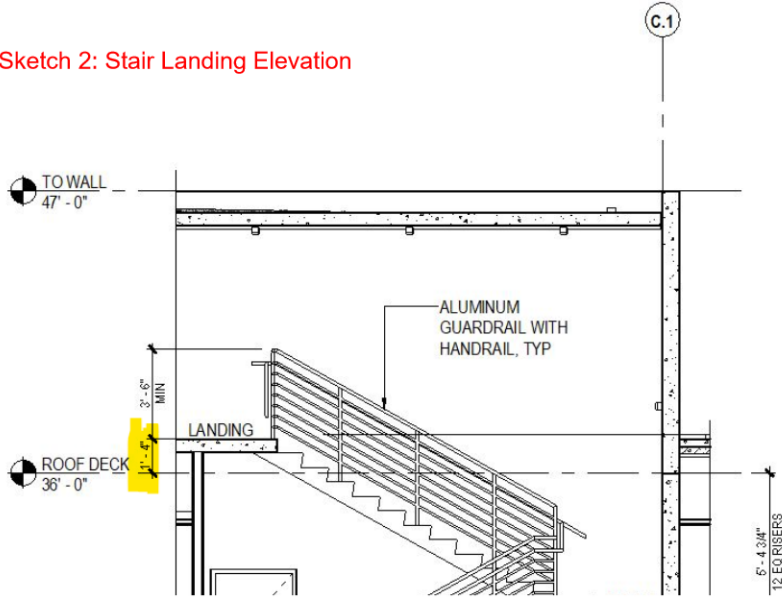
2:00 PM

Physical Address: 954 Army Drive, Barrigada Heights, Guam 96913 Telephone: 671-649-4147

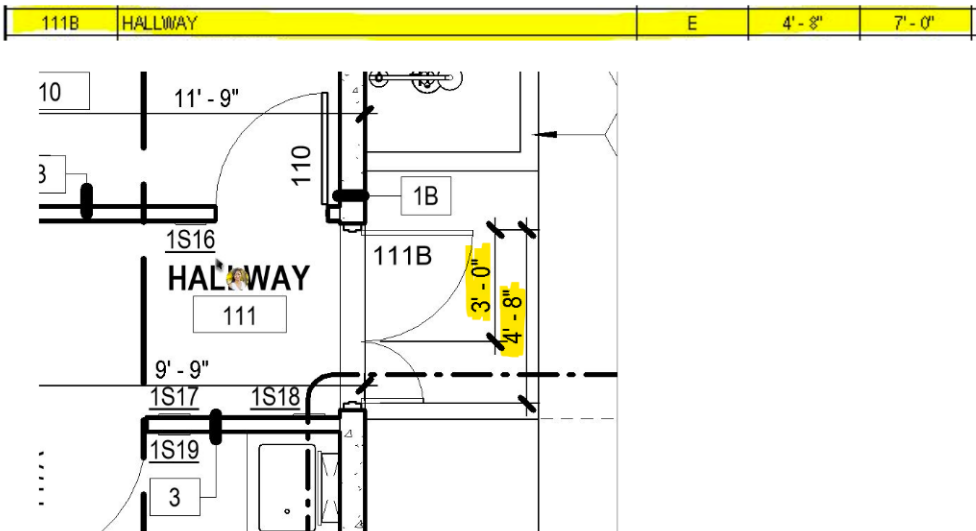
1

7/3/2023

Sketch 2: Stair Landing Elevation



Sketch 4: Uneven Doors width





FUTURE WORLD CORPORATION General Contractor
 954 Army Drive, Sanigada Heights, Guam 96913 Telephone: 671-649-4147
 Mailing Address: P.O. Box 12554, Tamuning, Guam 96931
 Website: www.futureworldguam.com

REQUEST FOR INFORMATION

PROJECT: UOG IFB-23-01 RFI NO. 3

Subject: **Scope of Electrical works** Date: **July 10, 2023**
 To: **UOG Procurement** From: **Arnold Felizardo**
 Company: Company: **Future World Corporation**
 Contact No.: Contact No.: **998-1008**

We are sending you attached via: e-mail hand carry

| Specification Reference | Plan Reference | Discipline |
|-------------------------|---|------------|
| Item | Description | |
| 1 | WERI BUILDING | |
| 1.1 | Please confirm if this is part of Contractor or GPA scope Testing of New Medium Voltage Cables such as Visual Inspection, Shield Continuity Test, Insulation Resistance Test "Megger" 5kV, VLF AC Hi-Pot Field Acceptance Test and other tests. | |
| 1.2 | Please confirm if this is part of Contractor or GPA scope Testing of the New GPA Pad Mounted Transformer such as Visual and Mechanical Inspection, Contact Resistance, Insulation Resistance, Overpotential Test (VLF AC Hi-Pot Test) and other tests. | |
| 1.3 | Please provide the Lighting Fixture Schedule of the Lighting Fixture D2F and D2F EM reflected on drawing no. 1EL102. | |
| 2 | Nursing Annex building BUILDING | |
| 2.1 | Please confirm if this is part of Contractor or GPA scope Testing of New Medium Voltage Cables such as Visual Inspection, Shield Continuity Test, Insulation Resistance Test "Megger" 5kV, VLF AC Hi-Pot Field Acceptance Test and other tests. | |
| 2.2 | Please confirm if this is part of Contractor or GPA scope Testing of the New GPA Pad Mounted Transformer such as Visual and Mechanical Inspection, Contact Resistance, Insulation Resistance, Overpotential Test (VLF AC Hi-Pot Test) and other tests. | |

A & E Response:

Received By: _____ Submitted By: Arnold Felizardo / Proj Engineer
 Representative

Physical Address: 954 Army Drive, Sanigada Heights, Guam 96913 Telephone: 671-649-4147
 Mailing Address: P.O. Box 12554, Tamuning, Guam 96931
 Website: www.futureworldguam.com

UOG IFB B23-01: INVITATION FOR MULTI-STEP SEALED BIDS FOR CONSTRUCTION SERVICES

| | |
|------|--|
| ITEM | Question |
| Date | 07/10/23 |
| | Water and Environmental Research Institute (WERI) |
| 1 | <p>Please clarify if the following is part of the contractor's scope of work or GPA.</p> <ul style="list-style-type: none"> a. Supply and installation of medium voltage cables/primary cables from Riser conduit to New GPA Pad Mounted Transformer. If the contractor will do the supply and installation, please provide the size and type of wire. b. Supply and installation of conduits from the Riser conduit to the New GPA Pad Mounted Transformer. If the contractor will do the supply and installation, please provide the size of the conduit. c. Testing of New Medium Voltage Cables such as Visual Inspection, Shield Continuity Test, Insulation Resistance Test "Megger" 5kV, VLF AC Hi-Pot Field Acceptance Test, and other tests. d. Testing of the New GPA Pad Mounted Transformer such as Visual and Mechanical Inspection, Contact Resistance, Insulation Resistance, Overpotential Test (VLF AC Hi-Pot Test), and other tests. |
| 2 | Please provide the Lighting Fixture Schedule of the Lighting Fixture D2F and D2F EM reflected on drawing no. 1EL102. |
| | School of Health, Nursing Annex |
| 3 | <p>Please clarify if the following is part of the contractor's scope of work or GPA.</p> <ul style="list-style-type: none"> a. Supply and installation of medium voltage cables/primary cables from Riser conduit to Existing Pad Mounted Transformer. If the contractor will do the supply and installation, please provide the size and type of wire. b. Testing of New Medium Voltage Cables such as Visual Inspection, Shield Continuity Test, Insulation Resistance Test "Megger" 5kV, VLF AC Hi-Pot Field Acceptance Test, and other tests. c. Testing of the New GPA Pad Mounted Transformer such as Visual and Mechanical Inspection, Contact Resistance, Insulation Resistance, Overpotential Test (VLF AC Hi-Pot Test), and other tests. |
| | |

RESPONSE

1a/3a. Supply and installation of medium voltage cable is by GPA.

1b. Supply and installation of conduit from riser pole to pad mounted transformer is by the contractor. 2-4" conduits are required.

1c/3b. Testing of medium voltage cable is by GPA.

1d/3c. Testing of pad mounted transformer is by GPA.

2. D2F and D2 differ solely in their mounting methods. D2F requires accessories for installation on a hard ceiling, whereas D2 types are designed for ceiling grids. D2F EM – same as D2F with integral emergency ballast.